

Southern California Contest Club Operations, Results, and Enlightenment, **SCCCORE** is the official bimonthly bulletin of the Southern California Contest Club. Membership is two dollars per year payable to **Dennis Younker**.

INTERIM PRESIDENT and
BULLETIN EDITOR:

Dennis Younker NE6I, 43261 Sixth St. East,
Lancaster, CA 93535 (805-942-0329)

L.A. AREA COORDINATOR:

Mark Beckwith WA6OTU, 789 Brookside Lane,
Sierra Madre, CA 91024 (818-355-2787)

SAN DIEGO AREA COORDINATOR:

WE NEED SOMEONE!

ORANGE COUNTY AREA COORDINATOR:

Kurt Andress NI6W, 2538 S. Center,
Santa Ana, CA 92704 (714-556-4391)

The next meeting is Saturday, February 25th, noon at Shakey's Pizza Parlor, 2000 North Sepulveda Boulevard, Manhattan Beach (near the TRW Swap Meet).

Club Net is every Thursday at 0330 UTC (Wednesday 1930 local) on 3815 kHz.

PRESIDENT'S REPORT

Please note above the absence of a San Diego AREA COORDINATOR! I have not heard from Art Hambleton, K1LL since early 1983! I understand he has moved to Coronado but he failed to forward his new address to me. Rick, N6ND gave me his new telephone number as 619-437-8876, however, I have been unable to reach anyone at that number thus far. If anyone hears from him, please have him get in touch with me as soon as possible.

In the meantime, if anyone is interested in becoming the San Diego AC, please contact me. AC's are assistants to the President and help organize contest efforts in their areas as well as solicit new members (and help with renewals), coordinate car pools to meetings, etc. etc.

A lot of discussion about the amount of dues has taken place in recent months and finally, at the December 3 meeting in Encino, the discussion came to a head.

Back in late 1982, a proposal was made to the membership to increase the dues from two to seven dollars per year. The additional funds would be used primarily to sponsor contest awards and help sponsor the contest suite at the Visalia DX Convention. There would be other occasional uses also as they arose.

The vote was nearly unanimous with about one third of the membership responding to the mail ballots. The dues increase was therefore put through in early 1983.

Up until that point, membership had been steadily increasing. Suddenly, after the increase, renewals dropped to nearly zero and there were few new members joining.

So the club treasury failed to grow as planned and the membership was dwindling.

It was decided at the December 3 meeting that the dues should be rolled back to two dollars again and a separate fund should be established from donations to sponsor contest awards. The thinking behind this being that currently the major interest of the club is to operate in contests and enter club scores. So be it! Effective immediately, this is the new status of the club.

Those members that stuck with us in 1983 and paid their seven dollars will have their memberships extended as if the dues had been two dollars all along. We greatly appreciate those members' support in 1983.

This bulletin is being sent to former members as well as current ones to inform them that the dues is once again two dollars. Hopefully, most will rejoin us and add their contest scores and skills to ours. Many have already done so!

73,

SCCC NOTES

The club net has gotten off to a slow start. Band conditions on 75 meters have not cooperated. We have usually had long skip and been unable to hear each other very well. Thanks go out to those stations that have been on and braved the poor conditions. Remember, this net is intended to be an informal roundtable to keep us in touch with each other, informing us of recent contest related events and future plans. Hints and kinks are encouraged as well!

Present at the December 3 meeting were N6AA, NE6I, M6MM, WA6OTU, AA6RX, N6TJ, N6TR, N6VI, and N6ZZ. Post observations of the 1983 CQWW contest dominated the meeting.

Some big scores by members were XE2SI multi-multi phone 13 million, CW 8 million; 8P6J single op CW 4567 QSOs; 9Y4VT single op CW 5100 QSOs.

Some of the CW Sweepstakes scores for 1983 were:

K6LL	1193 x 74	W7RM	1239 x ??
NG6T	1002 x 73	WA6JAH	1007 x 73
K7GM	1165 x 74	NE6I	522 x 72
W7NI	1028 x 73	KORF	1185 x ??
N6TR	1245 x 74	N5AU	1281 x ??
K7NHV	1224 x ??	WB8JBM	1137 x ??
	high power above		
	low power below		
KZ6E	951 x 72	N6ND	859 x 73
NI6W	844 x 74	K7JA	983 x 74
W6UQF	787 x 74		

The 1984 ARRL DX Contests are approaching. Please make a point of sending me your final scores.

1984 INTERNATIONAL DX CONVENTION

DATES: April 13-15, 1984 LOCATION: Holiday Inn, Visalia, CA
Pre-registration is \$38.00 (\$42.00 after March 15). Send your check to Nick Winter, WB6DXU, 1426 N. Avon Street, Burbank, CA 91505.
If you are among the first 500 to register, you will receive a convention patch free!

Rooms at the Holiday Inn are \$40 for a single, \$47 for a double (per night). For reservations, call 209-651-5000. Their 800 number won't work for this.

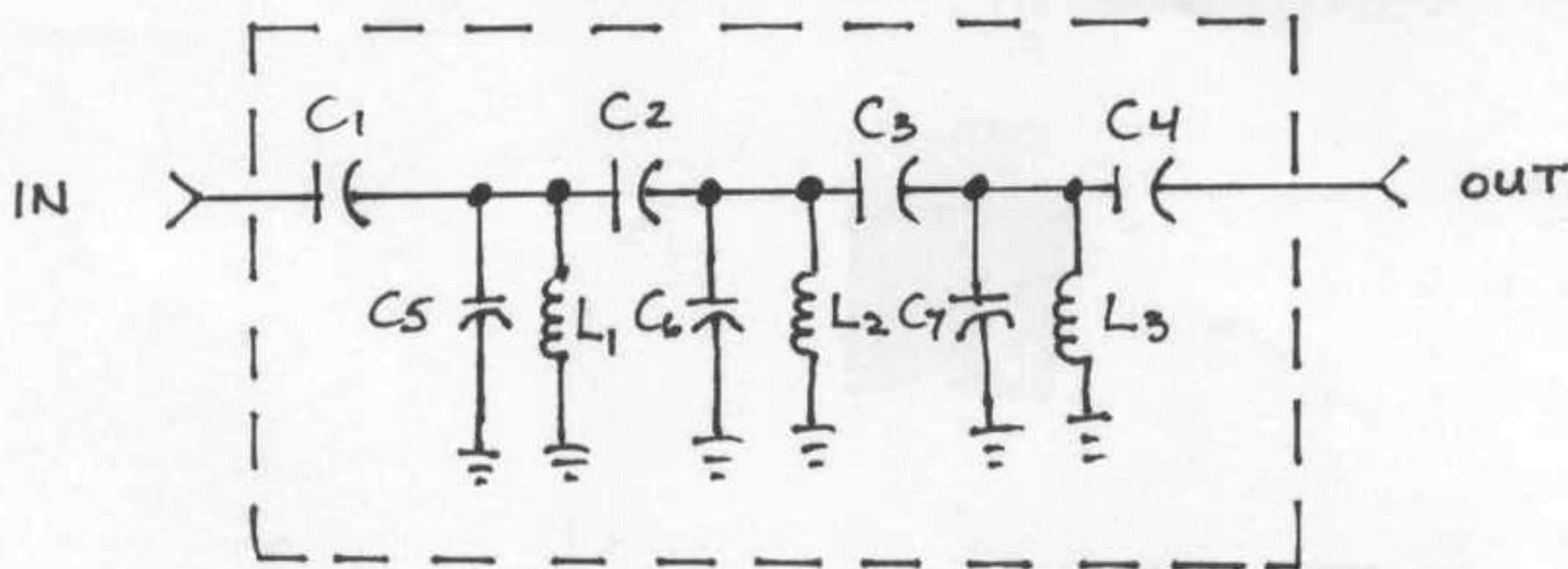
UNJAMMING TAILTWISTERS
by K1GQ
reprinted from NCJ Vol 9 Issue 5

Has your Tailtwister ever refused to turn the antenna? If so, you are in good company. Based on my experience with three different rotators, and that of others as well, I've concluded that sometimes the solenoid is unable to retract the brake wedge. Usually if I flip the motor switch one way or the other, the wedge breaks free. The factory confirms that the Tailtwister brake wedge is shaped differently for more strength and can jam when preloaded. Turning the motor relieves the preload.

This may not work if the rotator is at one of the limits, because the switches inside the rotator prevent turning further into the limit. DON'T CLIMB THE TOWER YET! You can bypass the switches by jumpering terminals at the back of the control box, 5 to 8 for clockwise and 4 to 6 for counterclockwise.

W3LPL RECEIVING BANDPASS FILTERS
by K3ND
reprinted from the NCJ Vol 9 Issue 5

One of the most difficult and important problems to overcome when building a multi-multi is inter-station interference. All too often harmonic and spurious garbage clutter up the front-ends of even the best receivers. The following circuit is a simple and inexpensive solution.



BAND	C1	C2	C3	C4	C5	C6	C7	L1L2L3	TOROID	#24 Wire
160	600	100	100	400	720	1200	1000	5.3uH	T50-2	30
80	300	50	50	200	360	600	500	2.7	T50-2	17
40	150	24	24	100	180	300	240	1.4	T50-6	17
20	75	12	12	51	91	150	120	0.7	T50-10	15
15	51	8	10	36	62	110	80	0.45	T50-10	10
10	38	6	6	26	46	75	60	0.35	T50-10	7

Capacitors are dipped mica.

Performance characteristics:

Insertion Loss: Less than 1 dB.

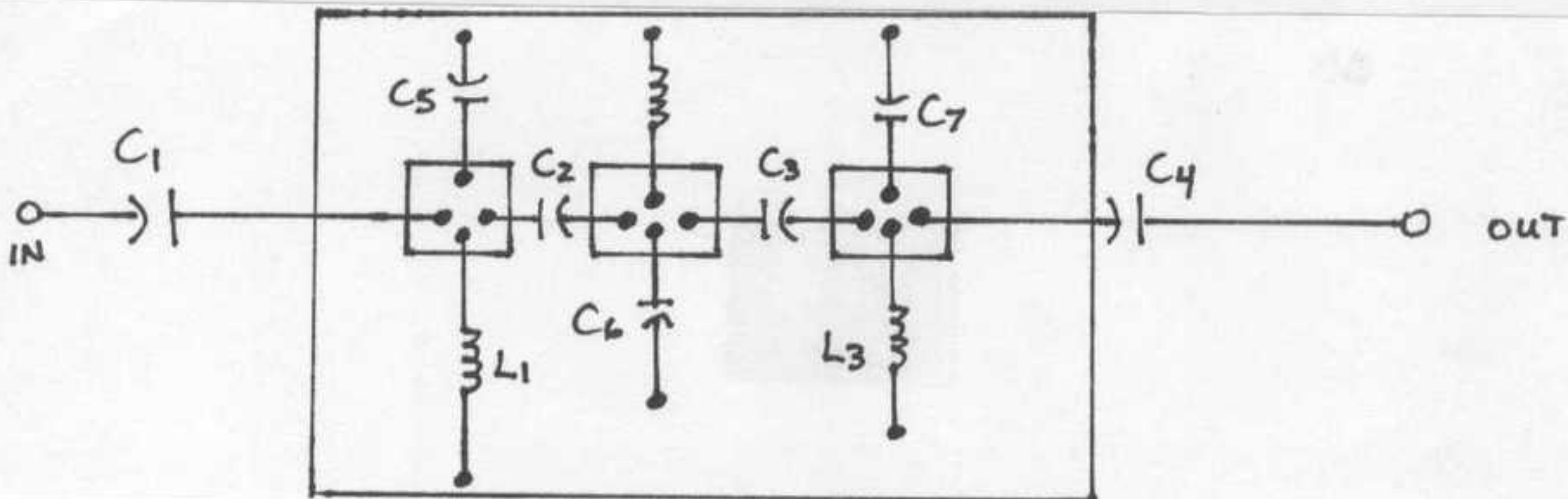
Attenuation: 160-15 meter filters: 70 dB rejection of all other bands.

10 meter filter: 50 dB rejection of all other bands.

Bandwidth: Plus or minus five percent of center frequency.

Construction

Small aluminum minibox 2 3/4 x 2 1/8 x 1 5/8 inches--no other shielding is required. Phono jacks are placed on each end for input and output. Suggested PC board and parts placement is illustrated below.



Tuning Procedure

Use a calibrated signal generator and RF voltmeter or use a spectrum analyzer and sweep generator. Tune by spreading turns on toroids until bandpass characteristic is centered in the middle of the subject amateur band. In some cases you may have to add or remove some turns for proper performance.

In actual operation these filters have made the difference between hearing and not. For multi-single installations you may desire enclosing several units together in a larger box with a rotary switch for band changing.

UPCOMING CONTESTS

January 27-29 CQWW 160 meter CW
Jan 28-Feb 6 Novice Roundup*
February 5 NA Sprint CW
February 12 NA Sprint Phone
February 18-19 ARRL DX CW
February 24-26 CQWW 160 SSB
March 3-4 ARRL DX Phone
March 24-25 CQWW WPX SSB

* Invite a Novice or Technician over and get him hooked on contesting!

"If DXers are the Cadillac drivers of our hobby, Contesters are the sports car drivers, emphasizing speed, flexibility, and high-performance operating!"

The Totem Tabloid
Western Washington DX Club, Inc.

TIME TO RENEW??? CHECK YOUR MAILING LABEL FOR EXPIRATION. DON'T FORGET, RENEW TODAY!!!